

These test procedures shall be complied to, without exception, annually.

Model Number _____ Serial Number _____

Tested By _____ Date _____

Inspected By _____ Date _____

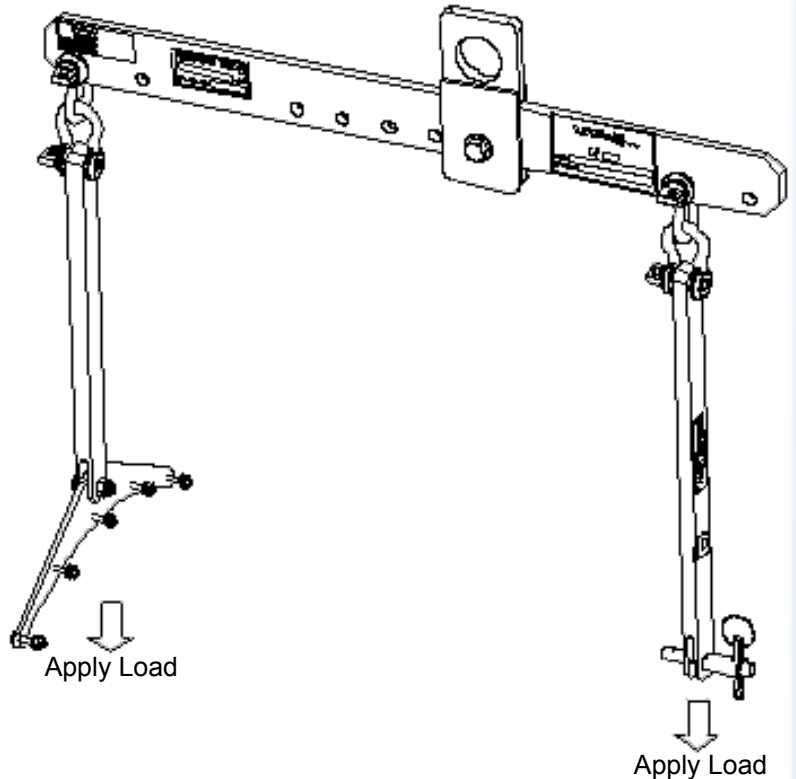
Working Load Of Sling Assembly _____

Working Load Of Engine Strap _____

Slings shall undergo periodic load tests at least every 4 years at a specific load test factor of the design rated load. All components shall be tested together as a system, if practical. Slings used for critical lifts shall be load tested at least once per year. Slings used infrequently for critical lifts shall be load tested for each critical lift if it has been over a year since the last load test.

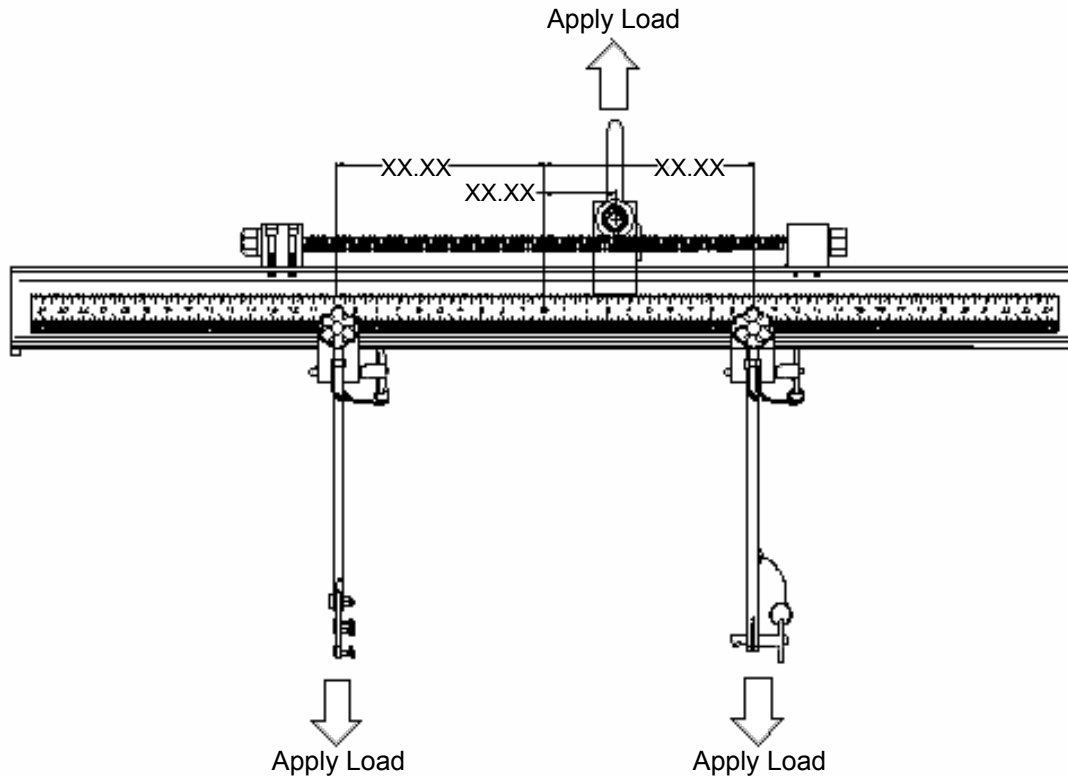
SLING ASSEMBLY

1. Measure strap lengths and record
2. Install sling unit into a test fixture. Locate lift clevis at appropriate hole number or location per Operation And Service Manual instructions and illustrations. Install straps.
2. Apply 1 ½ times working load and hold for approximately one (1) minute.
3. Remove sling component from test fixture and inspect the entire component for any signs of failure, i.e., broken or cracked welds, elongated holes, or cracks in any other portion of the component.
 - a. Any item which does not successfully pass the test is to be rejected and discarded or returned to Tronair for evaluation.
 - b. Re-measure strap length and record. If length of strap after testing is greater than length before testing call Tronair with results before using the assembly again.



SLING ASSEMBLY

1. Measure strap lengths and record
2. Install strap into fixture.
3. Apply 1 ½ times the load indicated on the strap and hold for approximately one (1) minute.
4. Remove straps from fixture and inspect the entire component for any signs of failure, i.e., broken or cracked welds, elongated holes, or cracks in any other portion of the component.
 - a. Any item which does not successfully pass the test is to be rejected and discarded or returned to Tronair for evaluation.
 - b. Re-measure strap length and record. If length of strap after testing is greater than length before testing call Tronair with results before using the assembly again.
 - c. Any surface defects, greater than 10% of material thickness, should be returned to Tronair for evaluation.



LOAD 1		
LOAD 2		

	BEFORE	AFTER
STRAP 1	in	in
STRAP 1	in	in

www.tronair.com

Tronair • Email: sales@tronair.com • Phone: 419-866-6301 or 800-426-6301 • Fax: 419-867-0634

Asia Sales Offices: China - Email: tronairchina@tronair.com • Phone: 86-592-5560735 • Fax: 86-592-5563132

Asia/Australia - Email: tronairasia@tronair.com • Phone: 662 2121463 • Fax: 662 2121332

Europe, Middle East & Africa Sales Office • Email: saleseurope@tronair.com • Phone: 44-0-113-245-3300 • Fax: 44-0-113-322-0436

TR011612