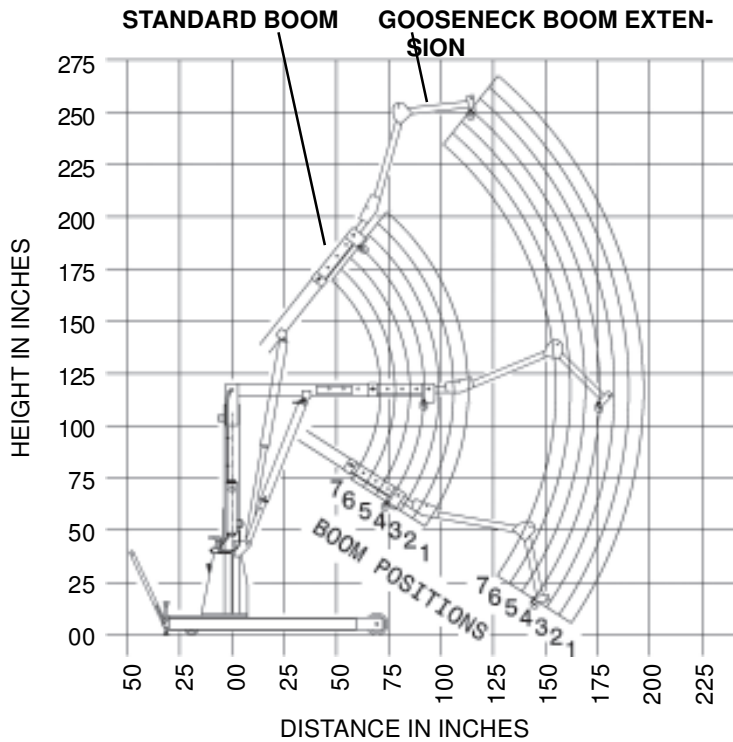


# Heavy Duty Hydraulic Utility Cranes

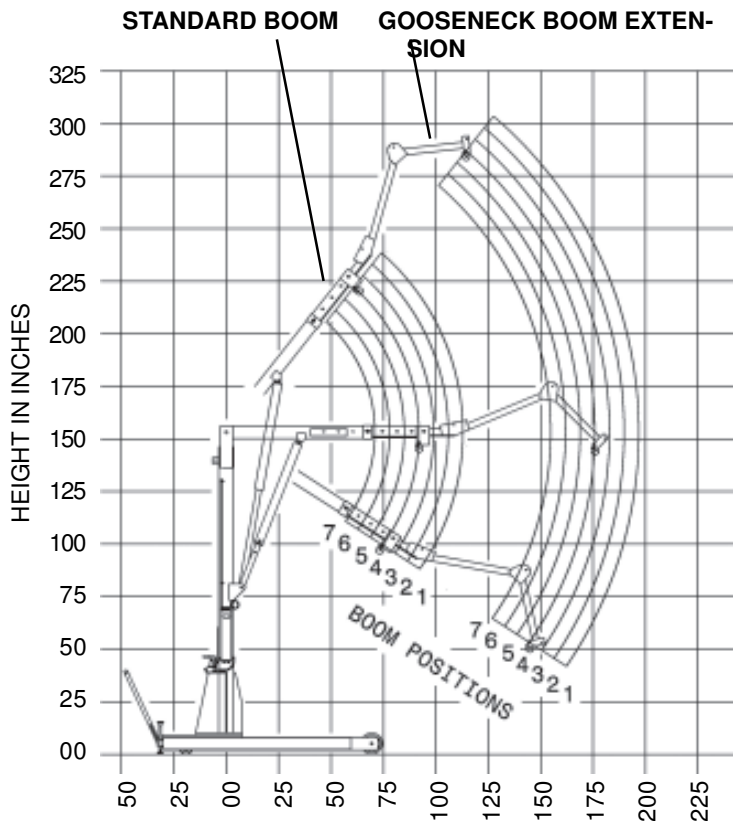
Crane Boom Shown in Position 4



04-6150-0120

| STANDARD BOOM |                       |                        |
|---------------|-----------------------|------------------------|
| Boom Position | Max. Load<br>lbs (kg) | Max. Height<br>in (cm) |
| 1             | 1500 (680)            | 195 (495)              |
| 2             | 1850 (839)            | 191 (485)              |
| 3             | 2200 (998)            | 187 (475)              |
| 4             | 2550 (1157)           | 183 (465)              |
| 5             | 2900 (1315)           | 179 (455)              |
| 6             | 3250 (1474)           | 175 (444)              |
| 7             | 4000 (1814)           | 171 (434)              |

| GOOSENECK BOOM |                       |                        |
|----------------|-----------------------|------------------------|
| Boom Position  | Max. Load<br>lbs (kg) | Max. Height<br>in (cm) |
| 1              | 500 (227)             | 256 (650)              |
| 2              | 560 (254)             | 252 (640)              |
| 3              | 720 (327)             | 248 (630)              |
| 4              | 780 (354)             | 244 (620)              |
| 5              | 840 (381)             | 240 (609)              |
| 6              | 900 (408)             | 236 (599)              |
| 7              | 1000 (454)            | 232 (589)              |



04-6152-0120

| STANDARD BOOM |                       |                        |
|---------------|-----------------------|------------------------|
| Boom Position | Max. Load<br>lbs (kg) | Max. Height<br>in (cm) |
| 1             | 1350 (612)            | 231 (587)              |
| 2             | 1850 (839)            | 227 (576)              |
| 3             | 2200 (998)            | 223 (566)              |
| 4             | 2500 (1134)           | 219 (556)              |
| 5             | 2750 (1247)           | 215 (546)              |
| 6             | 2750 (1247)           | 211 (536)              |
| 7             | 2750 (1247)           | 207 (526)              |

| GOOSENECK BOOM |                       |                        |
|----------------|-----------------------|------------------------|
| Boom Position  | Max. Load<br>lbs (kg) | Max. Height<br>in (cm) |
| 1              | 500 (227)             | 292 (741)              |
| 2              | 560 (254)             | 288 (731)              |
| 3              | 600 (272)             | 284 (721)              |
| 4              | 840 (381)             | 280 (711)              |
| 5              | 700 (318)             | 276 (701)              |
| 6              | 750 (340)             | 272 (691)              |
| 7              | 800 (363)             | 268 (681)              |